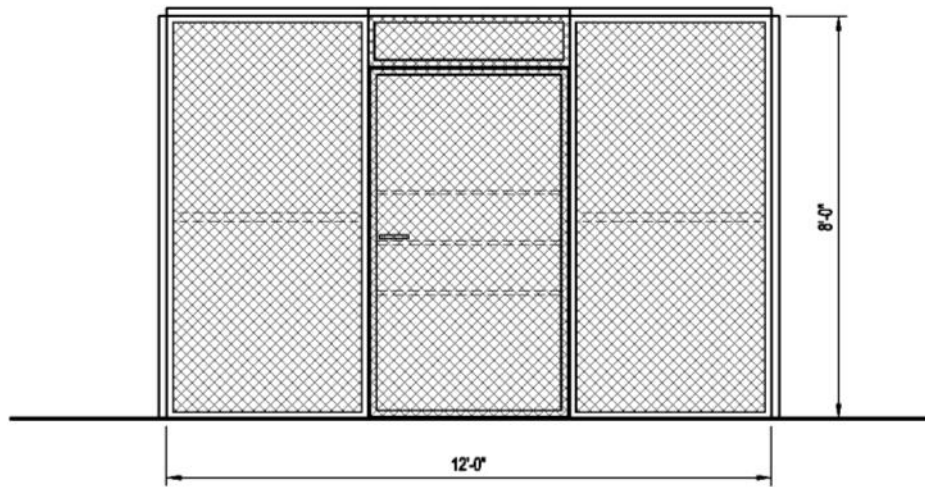


A basic 12' wide x 12' long x 8' high expanded metal enclosure can be installed in less than an hour using Kelly's patented locking keys.

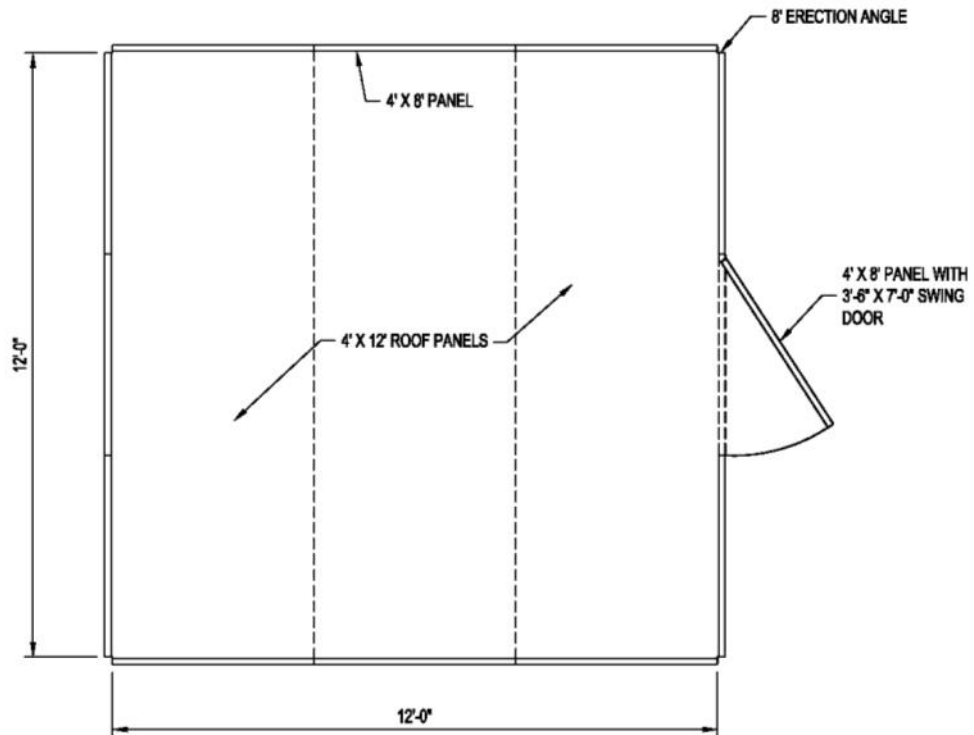
This complete enclosure style can be anchored to an existing base for permanent use or left "floating" for temporary applications.

Parts List:

Qty = 11	4' x 8' Expanded Metal Panels
Qty = 1	4x8 Panel w/ 3'-6" x 7' Door
Qty = 3	4' x 12' Expanded Metal Panels
Qty = 6	4' Erection Angle
Qty = 4	8' Erection Angle
Qty = 2	12' Erection Angle
Qty = 124	Locking Keys



Front Elevation



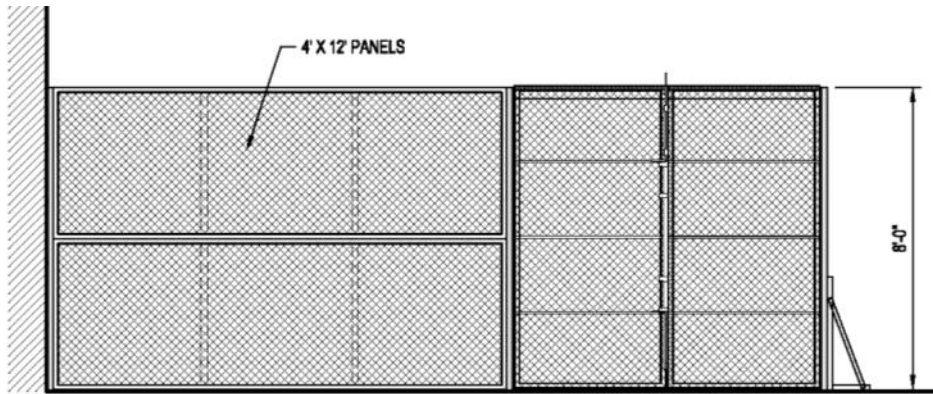
Plan View

Kelly Klosure Expanded Metal panels can be installed with partition posts to create an enclosure or wall system with no roof or upper supports.

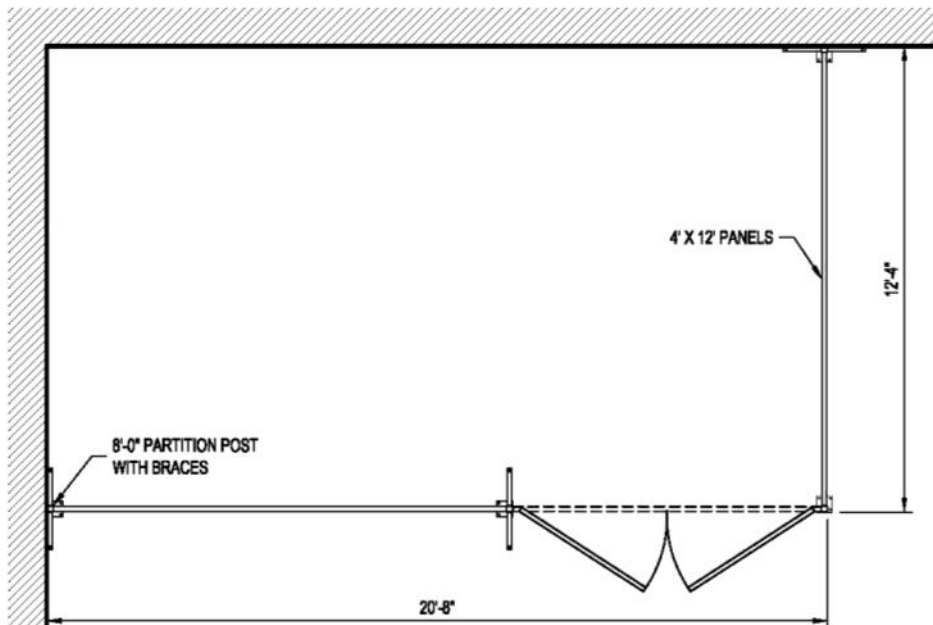
The 12' wide x 20' Long x 8' High 'L'-shaped enclosure below includes an 8' Wide x 7'-6" high double swing door. Partition post braces are used so anchoring to the floor or existing walls is not required. Wall system standard heights are 12' high or 8' high

Parts List:

Qty = 1	8' Wide x 7'-6" Swing Door
Qty = 4	4' x 12' Expanded Metal Panels
Qty = 4	8' Partition Post
Qty = 3	Pairs - Partition Post Braces w/ Leveling Bolts
Qty = 40	Locking Keys



Front Elevation



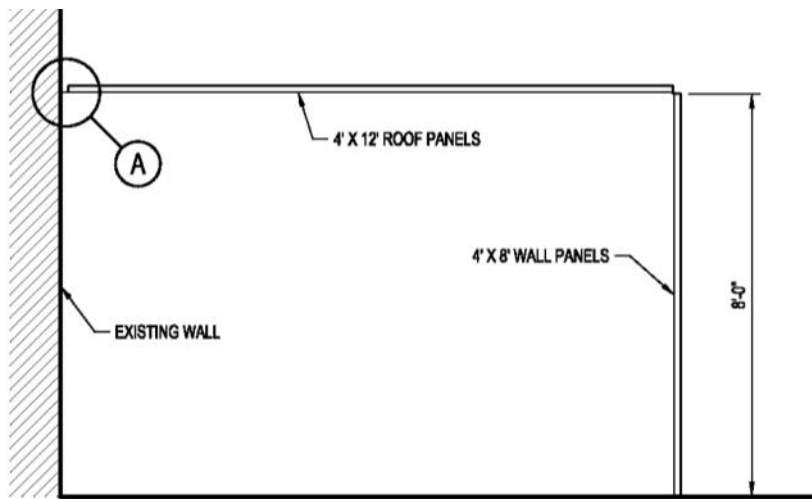
Plan View

Kelly Klosure Expanded Metal panels can be installed against existing walls or structures to create complete enclosures.

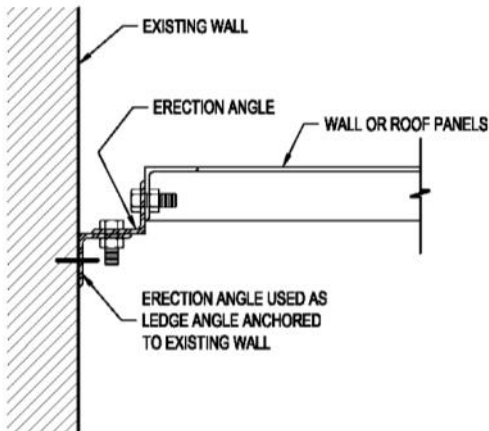
This 12'W x 12'L x 8'H cage with roof is installed in an existing building corner. The two ends of the walls and one end of the roof are anchored to the existing walls to stabilize the structure. Bolts are shown as the connecting hardware on this unit.

Parts List:

Qty = 5	4' x 8' Expanded Metal Panels
Qty = 1	4x8 Panel w/ 3'-6" x 7' Door
Qty = 3	4' x 12' Expanded Metal Panels
Qty = 9	4' Erection Angle
Qty = 5	8' Erection Angle
Qty = 1	12' Erection Angle
Qty = 72	3/8" Bolts w/ Nuts

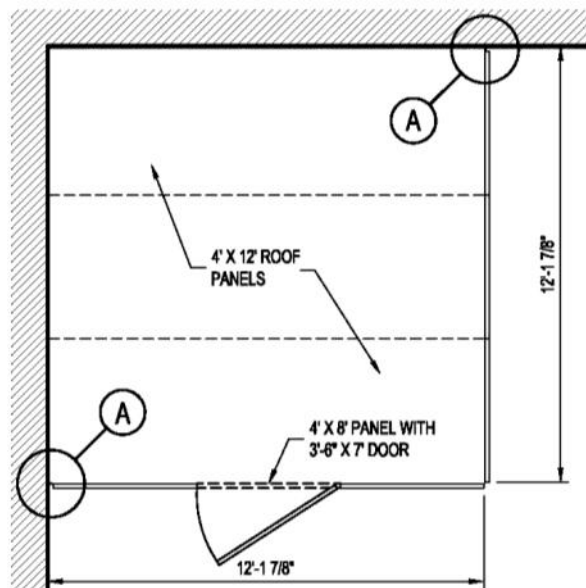


Cross-Section



Detail 'A'

Panels to Existing Wall Connection



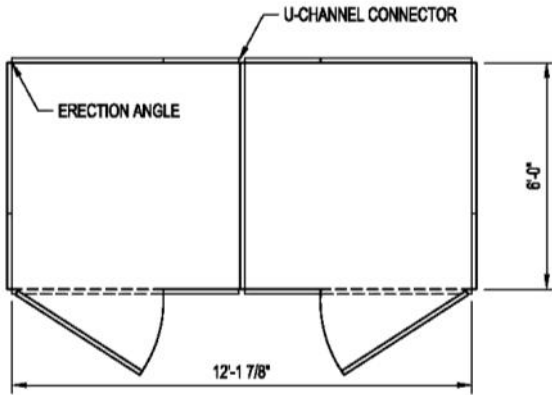
Plan View

Kelly Klosure Expanded Metal panels can be used to create high-security applications such as temporary holding cells.

This 6'W x 8'H x 12'L two-cell holding cell enclosure has a solid dividing wall to separate the two cells and upgraded door hardware to prevent escape.

Parts List:

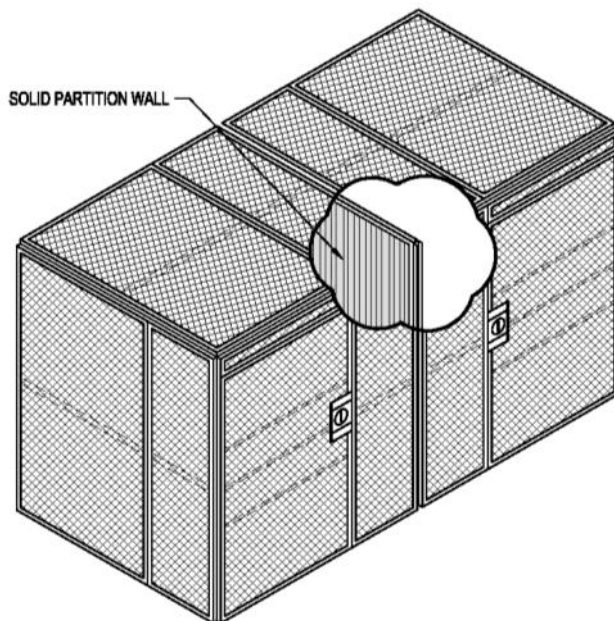
- Qty = 4 4' x 8' Expanded Metal Panels
- Qty = 6 2' x 8' Expanded Metal Panels
- Qty = 2 4x8 Panel w/ 3'-6" x 7' Door
w/ Double Keyed Deadbolt
- Qty = 2 4' x 6' Expanded Metal Panels
- Qty = 2 2' x 6' Expanded Metal Panels
- Qty = 1 6' x 8' Solid Sheeted Partition Wall
- Qty = 6 6' Erection Angles
- Qty = 4 8' Erection Angles
- Qty = 1 6' U-Channel Connectors
- Qty = 2 8' U-Channel Connectors
- Qty = 146 3/8" Diameter Bolts



Plan View



Doors Upgraded with Double Keyed Deadbolts for Higher Security



3-D View



Two Cell Holding Cell Enclosure